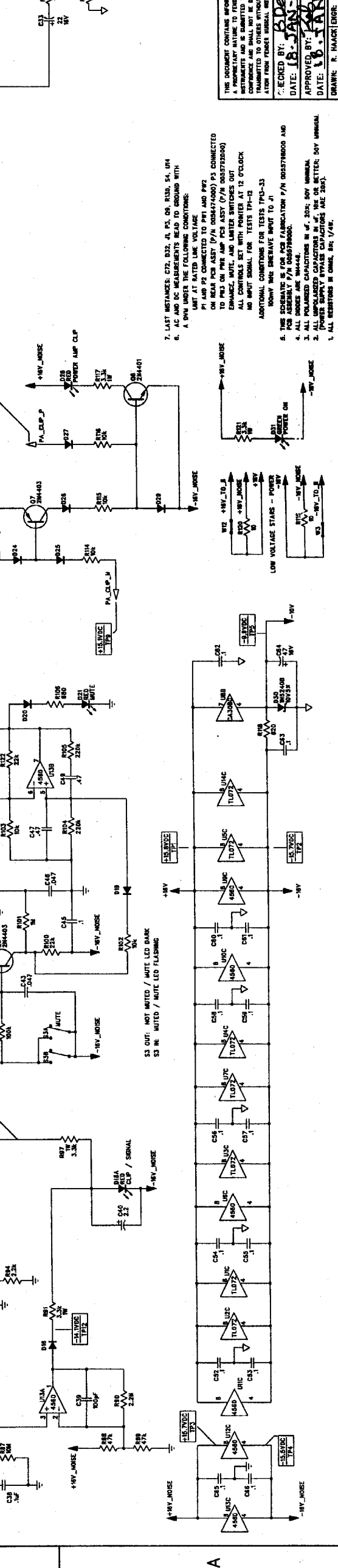
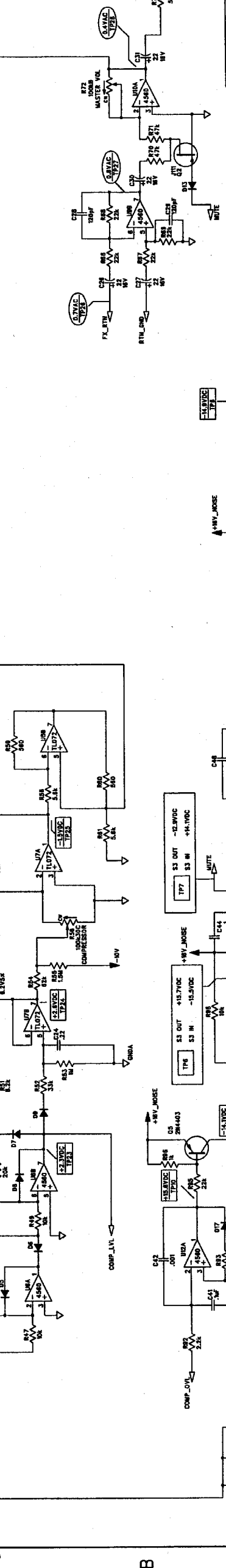
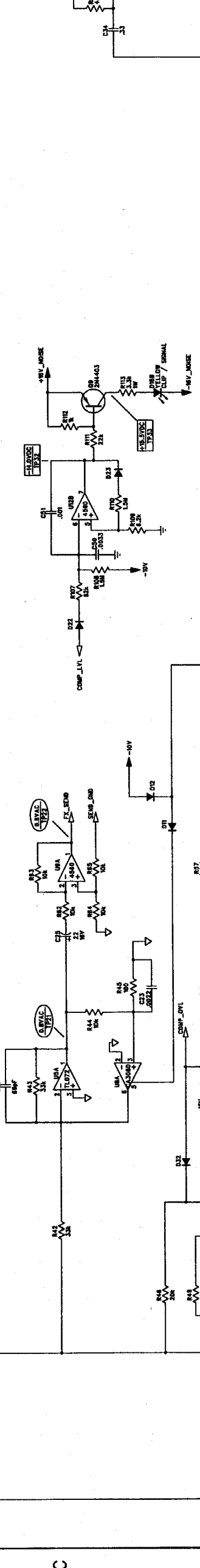
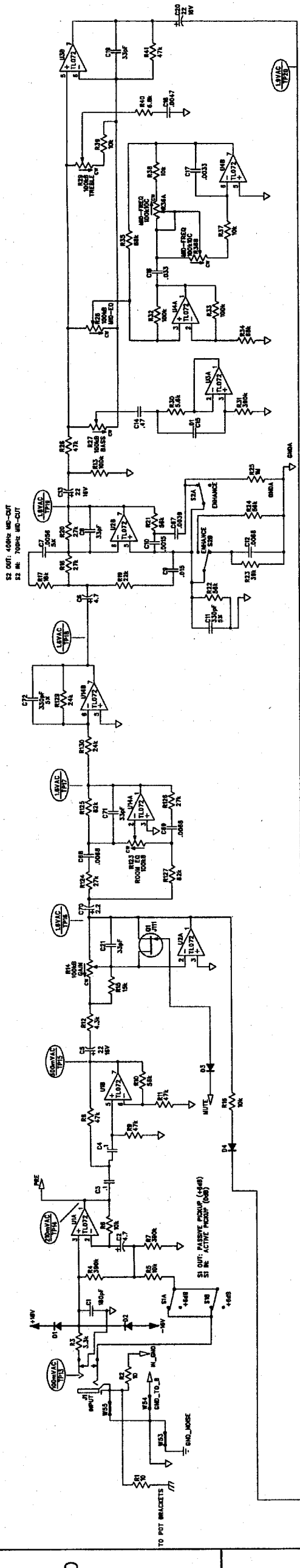
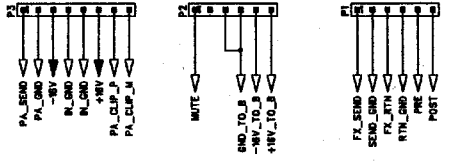


REV.	DESCRIPTION	DATE	APPROVED
A	PR419	17-JAN-00	R B H



7. LAST INSTANCES: C72, D32, A1, P3, D4, R136, S4, D14  
 8. AC AND DC MEASUREMENTS READ TO GROUND WITH  
 A 10K OHM INPUT IMPEDANCE METER.  
 9. ALL POLARIZED CAPACITORS IN #, 20V; 50V MINIMUM  
 UNLESS OTHERWISE NOTED.  
 10. ALL RESISTORS IN OHMS, K, OR M.  
 11. ALL RESISTORS IN OHMS, K, OR M.  
 12. UNLESS OTHERWISE NOTED.

**MUSICAL INSTRUMENTS**  
 2621 Research Drive  
 Corona, CA 91720 USA

**TITLE: SERVICE DIAGRAM, COMBINED (schematic)**  
**BASSMAN 200 PREAMP**

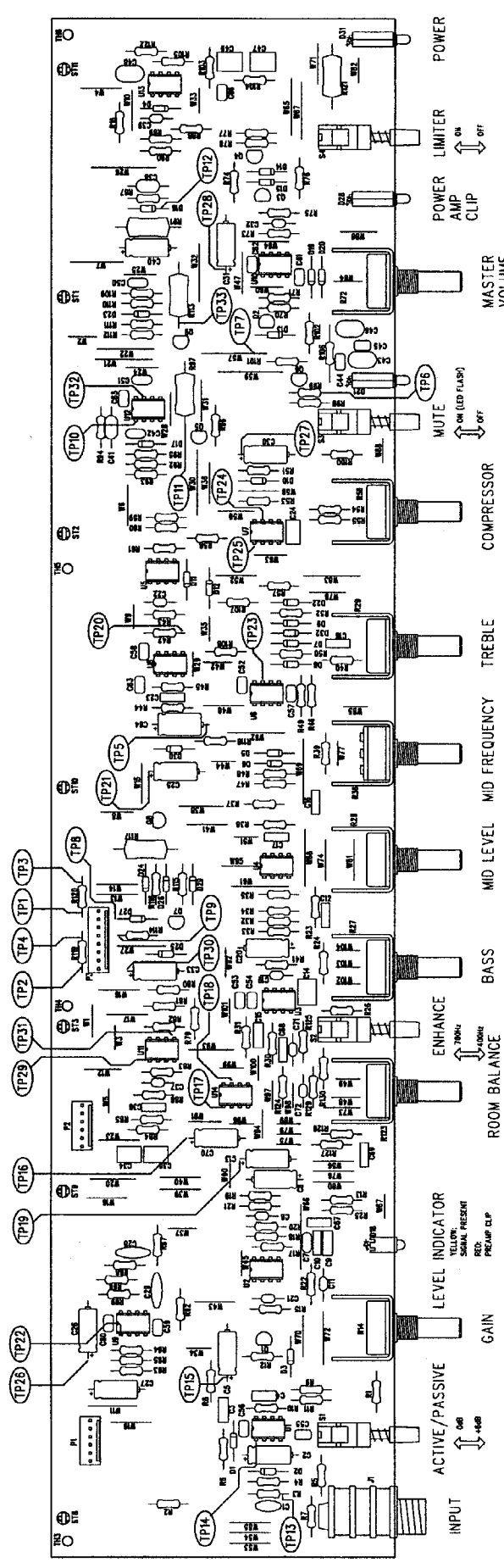
DATE: 18-JAN-00  
 APPROVED BY: RBH  
 DATE: 18-JAN-00

SIZE: DRAWING NUMBER D 005580000  
 REV. A

DATE: 17-JAN-00  
 RELEASE DATE: 17-JAN-00  
 SHEET: 1 OF 2

1 2 3 4 5 6 7 8

REVISIONS			
REV.	DESCRIPTION	DATE	APPROVED
A	PR 419	17-JAN-00	R. B. H.



FILM/PCB SERVICE DIAGRAM  
DATE: 17-JAN-00

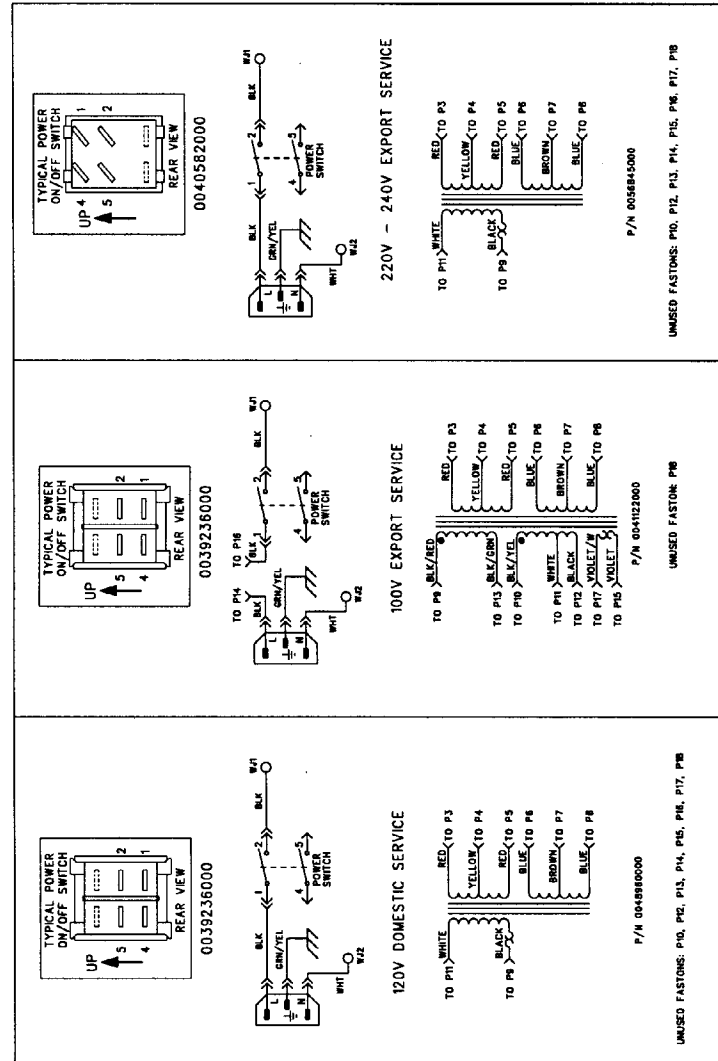
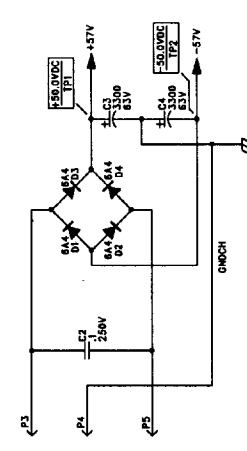
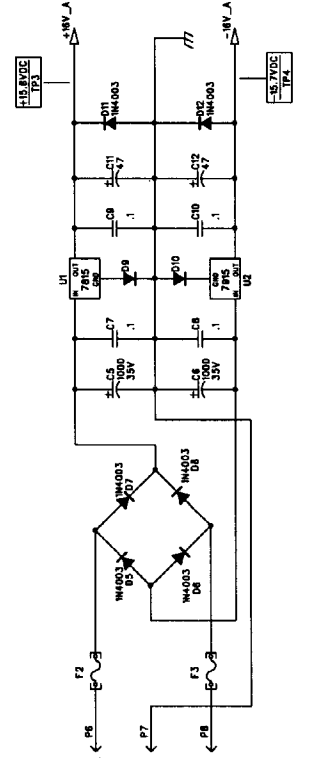
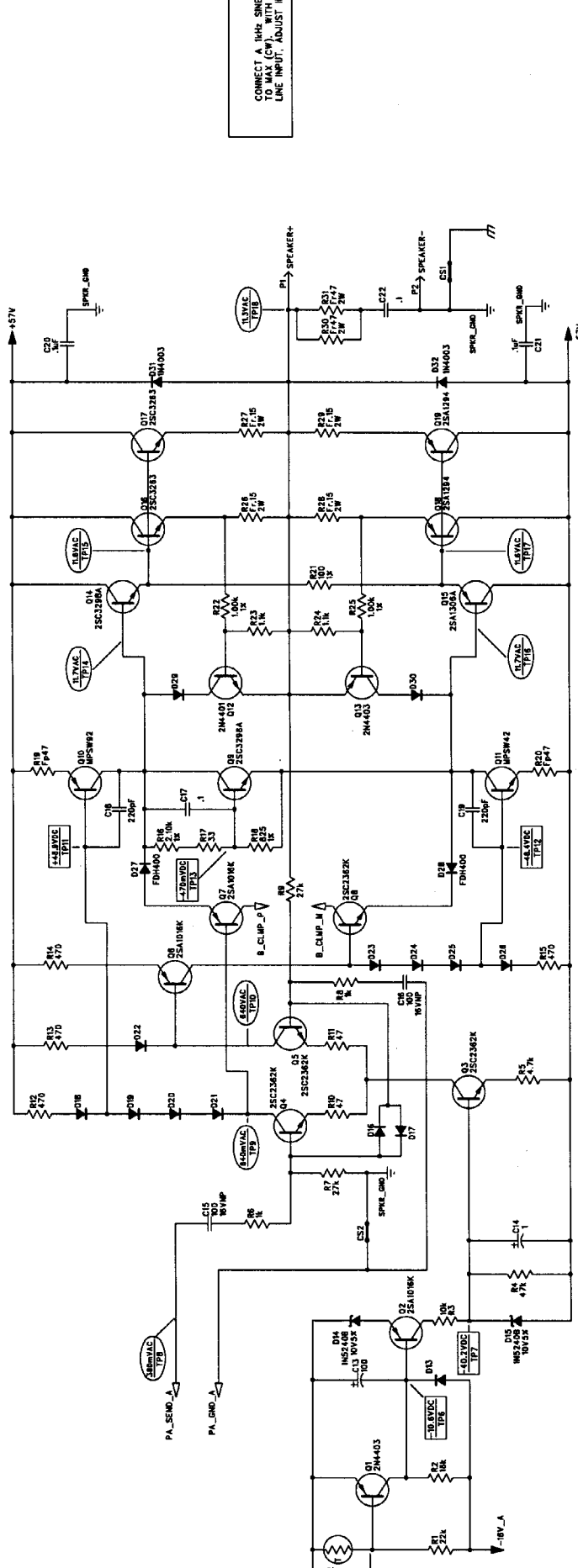
<p>MUSICAL INSTRUMENTS 2821 Research Drive Corona, CA 91720 USA</p>	
<p>TITLE: SERVICE DIAGRAM, COMBINED (PCB assy) BASSMAN 200 PREAMP</p>	
<p>CHECKED BY: <i>[Signature]</i> DATE: 18-JAN-00</p>	<p>APPROVED BY: <i>[Signature]</i> DATE: 18-JAN-00</p>
<p>DRWG. # 2401PCB DATE: 17-JAN-00</p>	<p>DATEBASE FILE: 2401PCB</p>
<p>SIZE: D DRAWING NUMBER: 005580000</p>	<p>REV. A SHEET 2 OF 2</p>

2. P1, P2, AND P3 CONNECT TO RIBBON CABLES FROM POWER AMP PCB ASSY (PMS) AND REAR PANEL PCB ASSEMBLY (PMT AND PMZ).  
1. TEST FOR TEST CONDITIONS AND TEST POINT VALUES. NOTES: (UNLESS OTHERWISE NOTED)

1 2 3 4 5 6 7 8

REVISIONS			
REV.	DESCRIPTION	DATE	APPROVED
A	PR 419	17-JAN-00	R B H
B	EC 2468	24-APR-00	R B H
C	EC 2522	9-AUG-00	R B H

**OUTPUT POWER TEST:**  
CONNECT A 100W SINEWAVE SIGNAL TO J1 (FRONT PANEL). SET MASTER VOLUME ON FRONT TO MAX. (CIRCUIT WITH 4 OHM LOAD CONNECTED TO P12, P14, P15, AND P17). ADJUST INPUT SIGNAL TO YIELD 200 WATTS AT 400Ω T.L.O.



- LAST INSTANCES: C22, C23, C24, P3, P18, P19, P20, R12, U2, W22
- AC AND DC MEASUREMENTS READ TO GROUND WITH A DVM POWERED AT RATED LINE VOLTAGE AND FREQUENCY
- 4 OHM RESISTIVE LOAD CONNECTED ACROSS P1-P2
- NO TONE CONTROLS FOR TEST POINTS T18-T20
- PREAMP PCB ASSY SHOULD BE SET UP PER ITS SERVICE DIAGRAM (P/N 0055793000)
- INPUT 100WAC RMS SINEWAVE INTO PREAMP PCB ASSY - J1 ("MP11")
- NOTE: P13 INTERCONNECTS TO P3 ON PREAMP PCB ASSY (P/N 0055793000)
- THIS SCHEMATIC IS FOR PCB P/N 0055793000 AND PCB ASSY P/N 0055793000.
- ALL DIODES 1N4148.
- ALL POLARIZED CAPACITORS IN U2, U3, U4, U5, U6, U7, U8, U9, U10, U11, U12, U13, U14, U15, U16, U17, U18, U19, U20, U21, U22, U23, U24, U25, U26, U27, U28, U29, U30, U31, U32, U33, U34, U35, U36, U37, U38, U39, U40, U41, U42, U43, U44, U45, U46, U47, U48, U49, U50, U51, U52, U53, U54, U55, U56, U57, U58, U59, U60, U61, U62, U63, U64, U65, U66, U67, U68, U69, U70, U71, U72, U73, U74, U75, U76, U77, U78, U79, U80, U81, U82, U83, U84, U85, U86, U87, U88, U89, U90, U91, U92, U93, U94, U95, U96, U97, U98, U99, U100, U101, U102, U103, U104, U105, U106, U107, U108, U109, U110, U111, U112, U113, U114, U115, U116, U117, U118, U119, U120, U121, U122, U123, U124, U125, U126, U127, U128, U129, U130, U131, U132, U133, U134, U135, U136, U137, U138, U139, U140, U141, U142, U143, U144, U145, U146, U147, U148, U149, U150, U151, U152, U153, U154, U155, U156, U157, U158, U159, U160, U161, U162, U163, U164, U165, U166, U167, U168, U169, U170, U171, U172, U173, U174, U175, U176, U177, U178, U179, U180, U181, U182, U183, U184, U185, U186, U187, U188, U189, U190, U191, U192, U193, U194, U195, U196, U197, U198, U199, U200, U201, U202, U203, U204, U205, U206, U207, U208, U209, U210, U211, U212, U213, U214, U215, U216, U217, U218, U219, U220, U221, U222, U223, U224, U225, U226, U227, U228, U229, U230, U231, U232, U233, U234, U235, U236, U237, U238, U239, U240, U241, U242, U243, U244, U245, U246, U247, U248, U249, U250, U251, U252, U253, U254, U255, U256, U257, U258, U259, U260, U261, U262, U263, U264, U265, U266, U267, U268, U269, U270, U271, U272, U273, U274, U275, U276, U277, U278, U279, U280, U281, U282, U283, U284, U285, U286, U287, U288, U289, U290, U291, U292, U293, U294, U295, U296, U297, U298, U299, U300, U301, U302, U303, U304, U305, U306, U307, U308, U309, U310, U311, U312, U313, U314, U315, U316, U317, U318, U319, U320, U321, U322, U323, U324, U325, U326, U327, U328, U329, U330, U331, U332, U333, U334, U335, U336, U337, U338, U339, U340, U341, U342, U343, U344, U345, U346, U347, U348, U349, U350, U351, U352, U353, U354, U355, U356, U357, U358, U359, U360, U361, U362, U363, U364, U365, U366, U367, U368, U369, U370, U371, U372, U373, U374, U375, U376, U377, U378, U379, U380, U381, U382, U383, U384, U385, U386, U387, U388, U389, U390, U391, U392, U393, U394, U395, U396, U397, U398, U399, U400, U401, U402, U403, U404, U405, U406, U407, U408, U409, U410, U411, U412, U413, U414, U415, U416, U417, U418, U419, U420, U421, U422, U423, U424, U425, U426, U427, U428, U429, U430, U431, U432, U433, U434, U435, U436, U437, U438, U439, U440, U441, U442, U443, U444, U445, U446, U447, U448, U449, U450, U451, U452, U453, U454, U455, U456, U457, U458, U459, U460, U461, U462, U463, U464, U465, U466, U467, U468, U469, U470, U471, U472, U473, U474, U475, U476, U477, U478, U479, U480, U481, U482, U483, U484, U485, U486, U487, U488, U489, U490, U491, U492, U493, U494, U495, U496, U497, U498, U499, U500, U501, U502, U503, U504, U505, U506, U507, U508, U509, U510, U511, U512, U513, U514, U515, U516, U517, U518, U519, U520, U521, U522, U523, U524, U525, U526, U527, U528, U529, U530, U531, U532, U533, U534, U535, U536, U537, U538, U539, U540, U541, U542, U543, U544, U545, U546, U547, U548, U549, U550, U551, U552, U553, U554, U555, U556, U557, U558, U559, U560, U561, U562, U563, U564, U565, U566, U567, U568, U569, U570, U571, U572, U573, U574, U575, U576, U577, U578, U579, U580, U581, U582, U583, U584, U585, U586, U587, U588, U589, U590, U591, U592, U593, U594, U595, U596, U597, U598, U599, U600, U601, U602, U603, U604, U605, U606, U607, U608, U609, U610, U611, U612, U613, U614, U615, U616, U617, U618, U619, U620, U621, U622, U623, U624, U625, U626, U627, U628, U629, U630, U631, U632, U633, U634, U635, U636, U637, U638, U639, U640, U641, U642, U643, U644, U645, U646, U647, U648, U649, U650, U651, U652, U653, U654, U655, U656, U657, U658, U659, U660, U661, U662, U663, U664, U665, U666, U667, U668, U669, U670, U671, U672, U673, U674, U675, U676, U677, U678, U679, U680, U681, U682, U683, U684, U685, U686, U687, U688, U689, U690, U691, U692, U693, U694, U695, U696, U697, U698, U699, U700, U701, U702, U703, U704, U705, U706, U707, U708, U709, U710, U711, U712, U713, U714, U715, U716, U717, U718, U719, U720, U721, U722, U723, U724, U725, U726, U727, U728, U729, U730, U731, U732, U733, U734, U735, U736, U737, U738, U739, U740, U741, U742, U743, U744, U745, U746, U747, U748, U749, U750, U751, U752, U753, U754, U755, U756, U757, U758, U759, U760, U761, U762, U763, U764, U765, U766, U767, U768, U769, U770, U771, U772, U773, U774, U775, U776, U777, U778, U779, U780, U781, U782, U783, U784, U785, U786, U787, U788, U789, U790, U791, U792, U793, U794, U795, U796, U797, U798, U799, U800, U801, U802, U803, U804, U805, U806, U807, U808, U809, U810, U811, U812, U813, U814, U815, U816, U817, U818, U819, U820, U821, U822, U823, U824, U825, U826, U827, U828, U829, U830, U831, U832, U833, U834, U835, U836, U837, U838, U839, U840, U841, U842, U843, U844, U845, U846, U847, U848, U849, U850, U851, U852, U853, U854, U855, U856, U857, U858, U859, U860, U861, U862, U863, U864, U865, U866, U867, U868, U869, U870, U871, U872, U873, U874, U875, U876, U877, U878, U879, U880, U881, U882, U883, U884, U885, U886, U887, U888, U889, U890, U891, U892, U893, U894, U895, U896, U897, U898, U899, U900, U901, U902, U903, U904, U905, U906, U907, U908, U909, U910, U911, U912, U913, U914, U915, U916, U917, U918, U919, U920, U921, U922, U923, U924, U925, U926, U927, U928, U929, U930, U931, U932, U933, U934, U935, U936, U937, U938, U939, U940, U941, U942, U943, U944, U945, U946, U947, U948, U949, U950, U951, U952, U953, U954, U955, U956, U957, U958, U959, U960, U961, U962, U963, U964, U965, U966, U967, U968, U969, U970, U971, U972, U973, U974, U975, U976, U977, U978, U979, U980, U981, U982, U983, U984, U985, U986, U987, U988, U989, U990, U991, U992, U993, U994, U995, U996, U997, U998, U999, U1000.

MUSICAL INSTRUMENTS  
Corona, CA U. S. A.

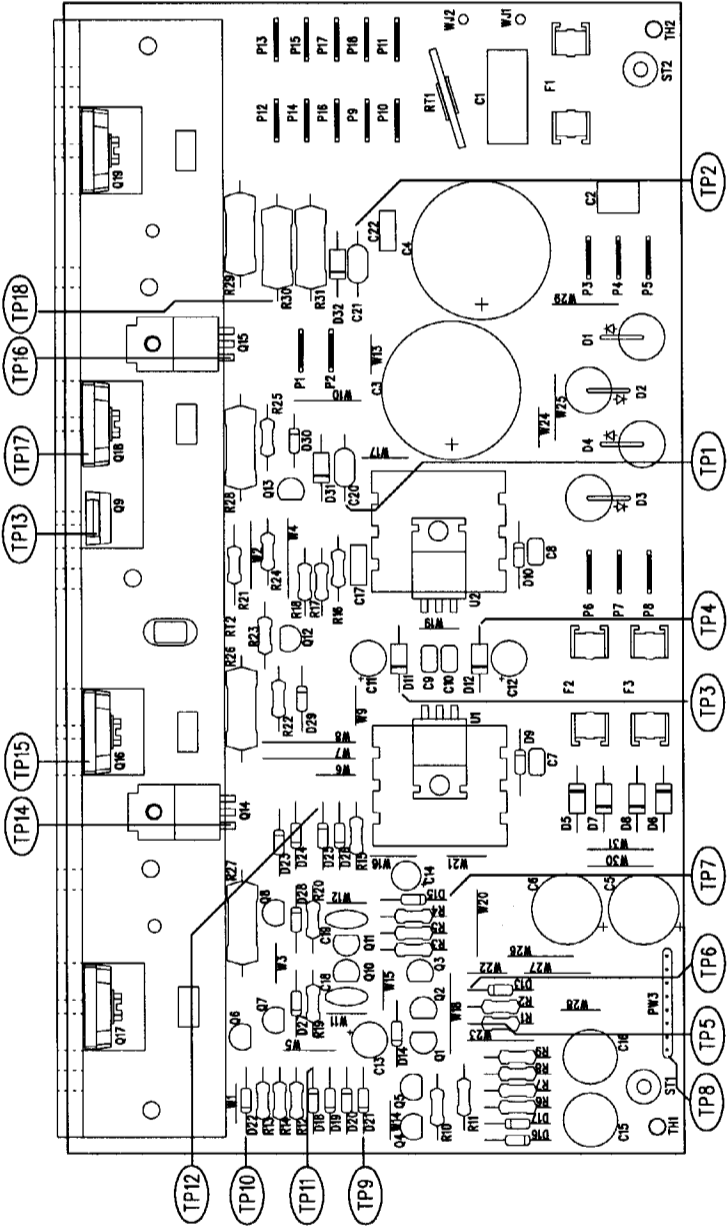
TITLE: SERVICE DIAGRAM, COMBINED (schematic)  
BASSMAN 200  
POWER AMP

SIZE: D  
DRAWING NUMBER: 0055793000  
REV. C

RELEASE DATE: 17-JAN-00  
SHEET: 1 OF 2

1 2 3 4 5 6 7 8

REVISIONS			
REV.	DESCRIPTION	DATE	APPROVED
A	PR419	17-JAN-00	R B H
B	EC2468	24-APR-00	R B H
C	EC2522	09-AUG-00	R B H



FILM/DWG: SERVICE DIAGRAM  
 DATABASE: Z418P2.PCB DATE: 24-APR-00

- 2. RIBBON CABLE AT PW3 CONNECTS TO PREAMP PCB ASSY P3
- 1. SEE SHEET 1 FOR PRIMARY WIRING, TEST CONDITIONS, AND TEST POINT VALUES

NOTES: (UNLESS OTHERWISE NOTED)

THIS DOCUMENT CONTAINS INFORMATION OF A PROPRIETARY NATURE TO FENDER MUSICAL INSTRUMENTS AND IS SUBMITTED TO YOU IN CONFIDENCE AND SHALL NOT BE DISCLOSED OR TRANSMITTED TO OTHERS WITHOUT AUTHORIZATION FROM FENDER MUSICAL INSTRUMENTS.

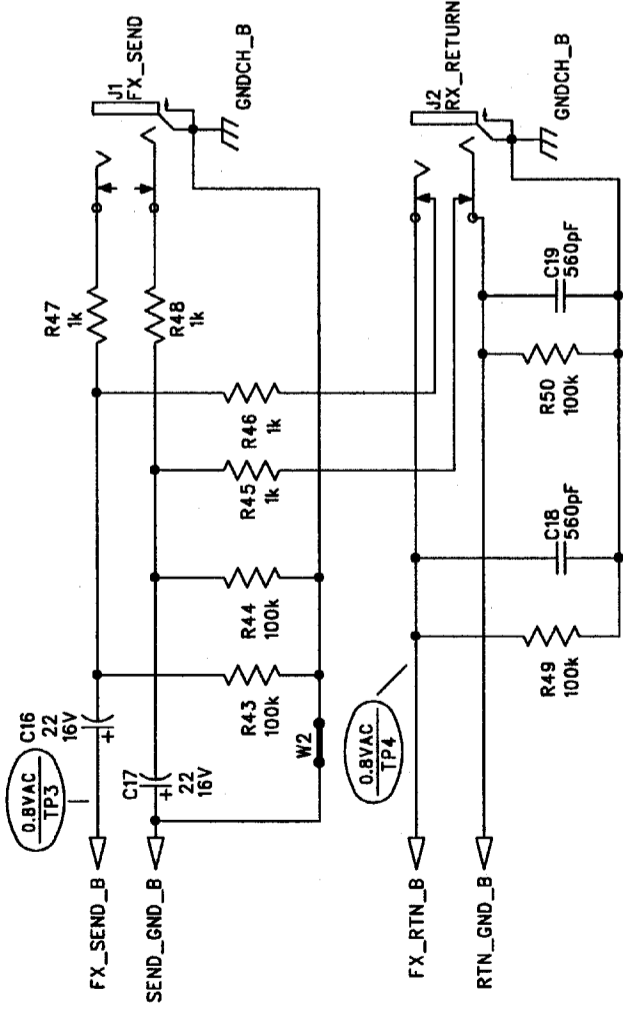
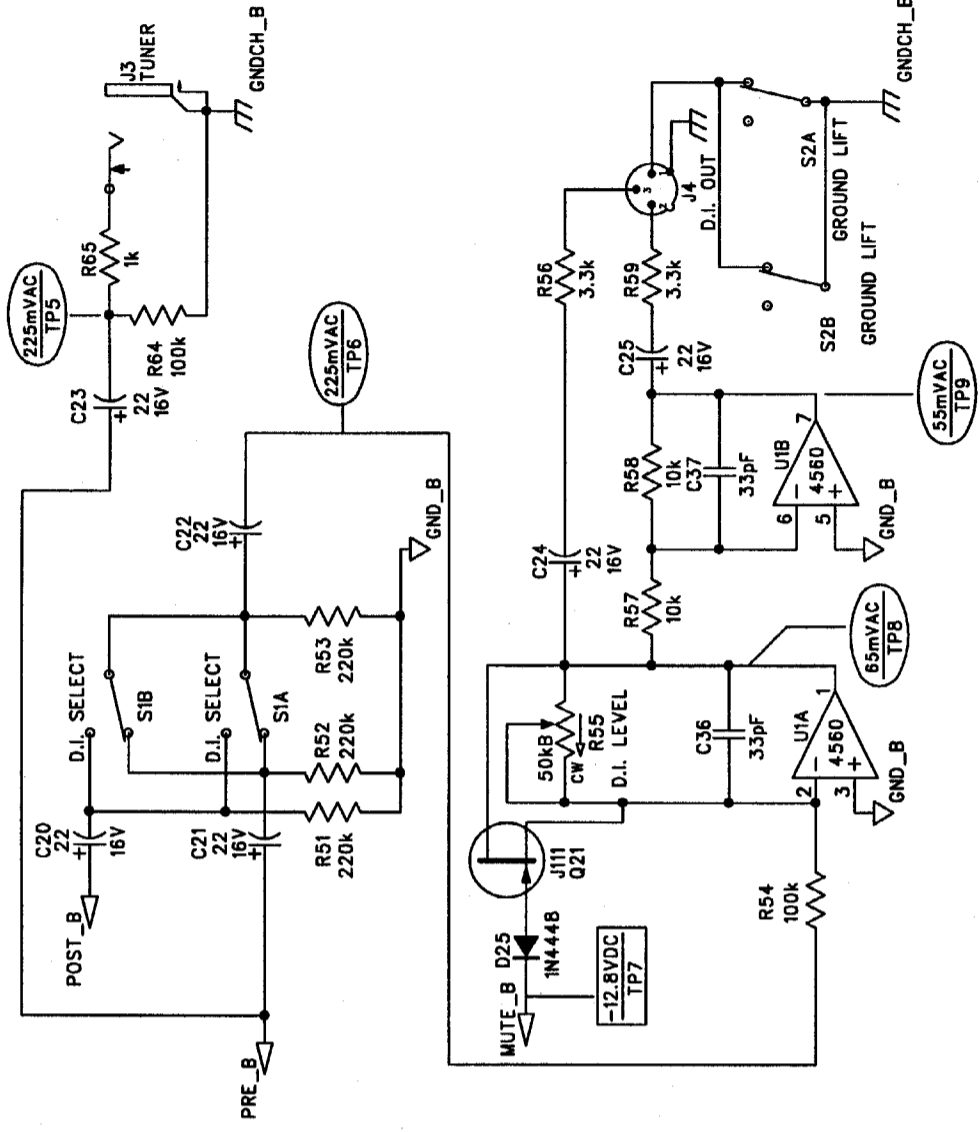
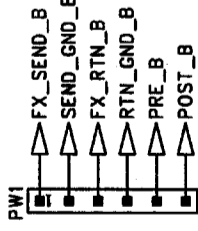
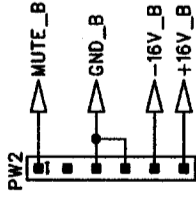
CHECKED BY: *[Signature]*  
 DATE: *09-AUG-00*  
 APPROVED BY: *[Signature]*  
 DATE: *09-AUG-00*  
 DRAWN: R. HAACK ENGR: R. HAACK  
 DATABASE FILE: Z418P2.PCB

*Fender*  
 MUSICAL INSTRUMENTS  
 Corona, CA U. S. A.

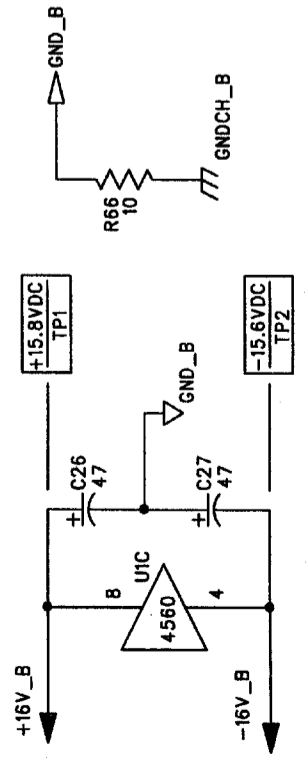
TITLE: SERVICE DIAGRAM, COMBINED (PCB assy)  
 BASSMAN 200  
 POWER AMP  
 SIZE: C DRAWING NUMBER: 0055793000  
 REV: C  
 RELEASE DATE: 17-JAN-00 SHEET 2 OF 2

REVISIONS

REV.	DESCRIPTION	DATE	APPROVED
A	PR419	17-JAN-00	R B H



- 7. LAST INSTANCES: C37, D25, J4, PW2, Q21, R66, S1, U1
- 6. AC AND DC MEASUREMENTS READ TO GROUND WITH A DVM UNDER THE FOLLOWING CONDITIONS:  
 UNIT IS POWERED AT RATED LINE VOLTAGE AND FREQUENCY  
 PREAMP PCB ASSY SHOULD BE SET UP PER ITS SERVICE DIAGRAM (P/N 0055800000)  
 R55 SET AT 50%  
 REAR PANEL SWITCHES OUT
- 5. PW1 AND PW2 CONNECT TO P1 AND P2 ON PREAMP PCB ASSY (P/N 0055799000)
- 4. THIS SCHEMATIC IS FOR PCB FABRICATION P/N 0056475000 AND PCB ASSEMBLY P/N 0056474000.
- 3. ALL POLARIZED CAPACITORS IN  $\mu$ F, 20%; 50V MINIMUM.
- 2. ALL UNPOLARIZED CAPACITORS IN  $\mu$ F, 10% OR BETTER; 50V MINIMUM. (POWER SUPPLY BYPASS CAPACITORS ARE 20%).
- 1. ALL RESISTORS IN OHMS, 5%; 1/4W.



THIS DOCUMENT CONTAINS INFORMATION OF A PROPRIETARY NATURE TO FENDER MUSICAL INSTRUMENTS AND IS SUBMITTED TO YOU IN CONFIDENCE AND SHALL NOT BE DISCLOSED OR TRANSMITTED TO OTHERS WITHOUT AUTHORIZATION FROM FENDER MUSICAL INSTRUMENTS.

CHECKED BY: *[Signature]*  
 DATE: 19-JAN-00  
 APPROVED BY: *[Signature]*  
 DATE: 19-JAN-00  
 DRAWN: R. HAACK  
 ENGR: R. HAACK  
 DATABASE FILE: Z419S3.SCH

**Fender** MUSICAL INSTRUMENTS  
 2621 Research Drive  
 Corona, CA 91720 USA

TITLE: SERVICE DIAGRAM, COMBINED (schematic)  
 BASSMAN 200  
 REAR PANEL PCB

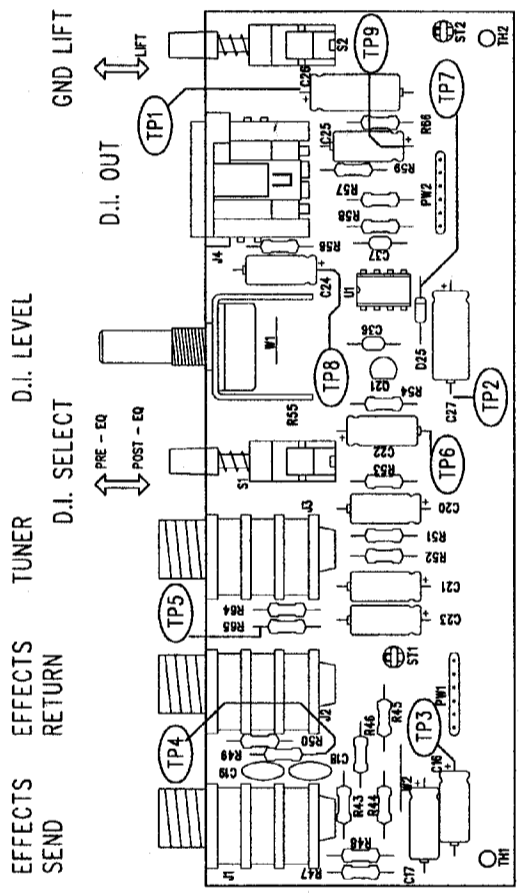
SIZE: **B** DRAWING NUMBER: **0056473000** REV. **A**

RELEASE DATE: 17-JAN-00 SHEET: 1 OF 2

8 7 6 5 4 3 2 1

D C B A

REVISIONS			
REV.	DESCRIPTION	DATE	APPROVED
A	PR419	17-JAN-00	R B H



FLM/DWG: SERVICE DIAGRAM  
 DATABASE: Z419P3.PCB DATE: 17-JAN-00

**Fender**  
 MUSICAL INSTRUMENTS  
 2621 Research Drive  
 Corona, CA 91720 USA

THIS DOCUMENT CONTAINS INFORMATION OF A PROPRIETARY NATURE TO FENDER MUSICAL INSTRUMENTS AND IS SUBMITTED TO YOU IN CONFIDENCE AND SHALL NOT BE DISCLOSED OR TRANSMITTED TO OTHERS WITHOUT AUTHORIZATION FROM FENDER MUSICAL INSTRUMENTS.

CHECKED BY: *BIRM*  
 DATE: 19-JAN-00

APPROVED BY: *R. Haack*  
 DATE: 19-JAN-00

DRAWN: R. HAACK ENGR: R. HAACK  
 DATABASE FILE: Z419P3.PCB

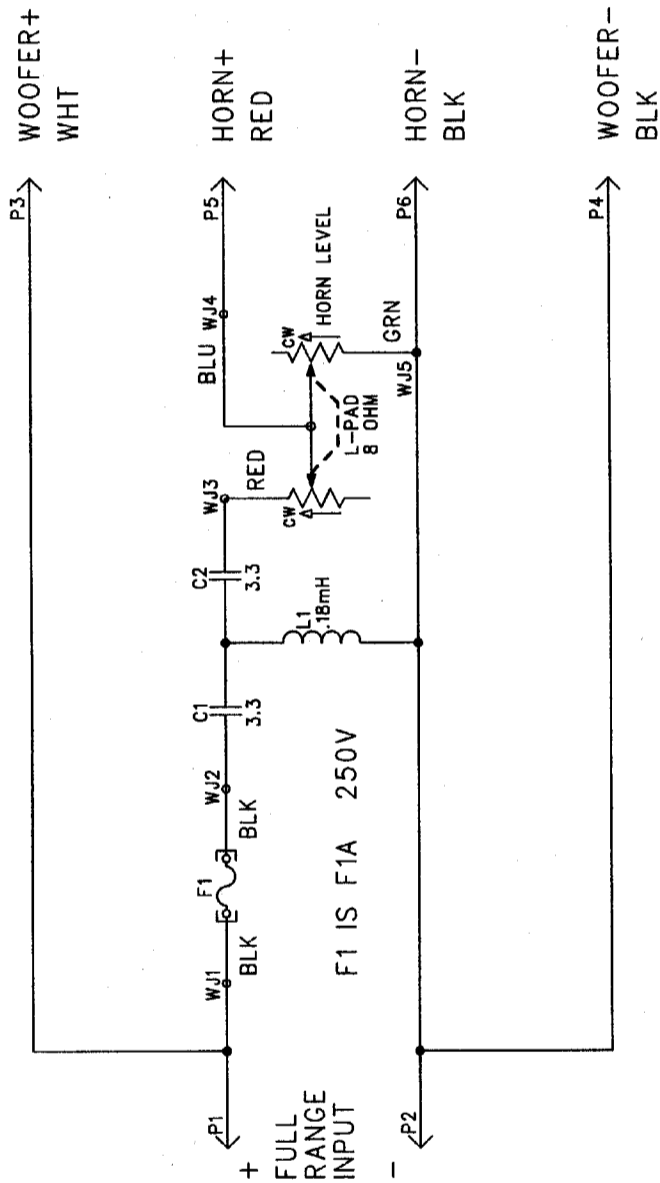
TITLE: SERVICE DIAGRAM, COMBINED (PCB assy)  
 BASSMAN 200  
 REAR PCB

SIZE: C DRAWING NUMBER: 0056473000 REV. A  
 RELEASE DATE: 17-JAN-00 SHEET 2 OF 2

2. RIBBON CABLES AT PW1 AND PW2 CONNECT TO PREAMP PCB ASSY (P1, P2 RESPECTIVELY)
1. SEE SHEET 1 FOR PRIMARY WIRING, TEST CONDITIONS, AND TEST POINT VALUES
- NOTES: (UNLESS OTHERWISE NOTED)

R E V I S I O N S

REV.	DESCRIPTION	DATE	APPROVED
A	PR412	23-AUG-99	dBL



THIS DOCUMENT CONTAINS INFORMATION OF A PROPRIETARY NATURE TO FENDER MUSICAL INSTRUMENTS AND IS SUBMITTED TO YOU IN CONFIDENCE AND SHALL NOT BE DISCLOSED OR TRANSMITTED TO OTHERS WITHOUT AUTHORIZATION FROM FENDER MUSICAL INSTRUMENTS.

CHECKED BY: blm  
 DATE: 01-SEP-99  
 APPROVED BY: dbl  
 DATE: 9/1/99  
 DRAWN: D. LEWIS    ENGR: D. LEWIS  
 DATABASE FILE: Z412S3.SCH

**Fender** MUSICAL INSTRUMENTS  
 2621 Research Drive  
 Corona, CA 91720 USA

TITLE: SERVICE DIAGRAM, COMBINED (schematic)  
 BASSMAN AMPLIFIERS  
 CROSSOVER

SIZE: B    DRAWING NUMBER: 0055945000    REV. A  
 RELEASE DATE: 25-AUG-99    SHEET: 1 OF 1

2. THIS SCHEMATIC IS FOR PCB FABRICATION P/N 0055804000 AND PCB ASSEMBLY P/N 0055803000.  
 1. ALL UNPOLARIZED CAPACITORS IN µF, 10% OR BETTER; 100V MINIMUM.  
 NOTES: (UNLESS OTHERWISE NOTED)