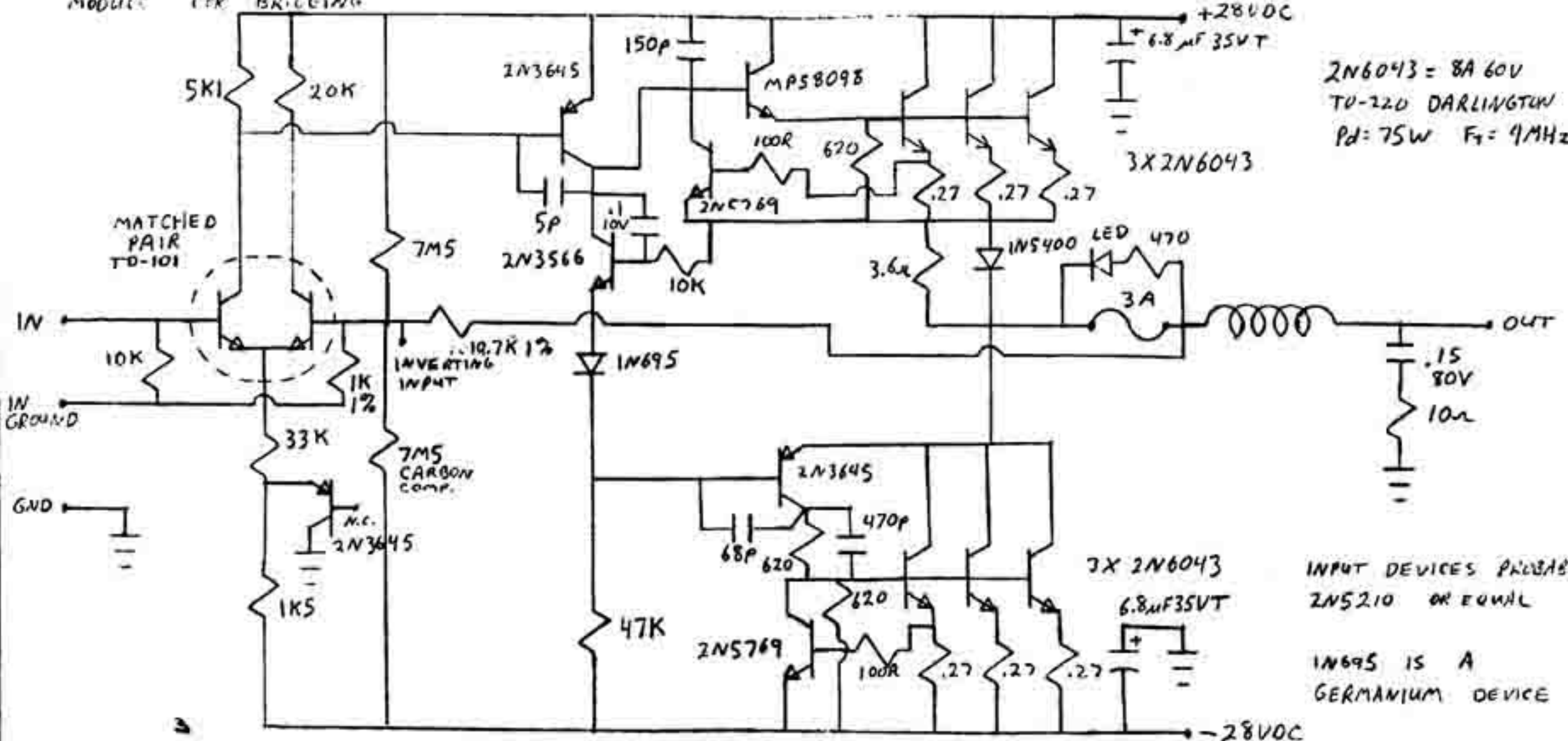


CONNECT INVERTING INPUT VIA A 10.7K 1% RESISTOR TO THE OUTPUT OF A SECOND MODULE FOR BRIDGING

$A_v = 11.7$ - AN INPUT OF ABOUT 5dbm IS REQUIRED TO ACHIEVE FULL OUTPUT

NOTE - IT IS NORMAL FOR THE NEGATIVE HALF OF THE WAVEFORM TO CLIP BEFORE THE POSITIVE



2N6043 = 8A 60V
TU-220 DARLINGTON
Pd = 75W F_T = 9MHz

INPUT DEVICES PREFERABLY 2N5210 OR EQUAL

1N695 IS A GERMANIUM DEVICE

ALL CAPACITORS ARE SILVER MICA EXCEPT THE 2 TANTALUM SUPPLY BYPASS UNITS AND THE .1 DISC AND .15 TUBULAR
ALL RESISTORS 1/4W 5% EXCEPT 2 1% TYPES AND ALL .27Ω ARE 2W 10% BWH TYPE - BLUE 5TH BAND 1 IS CARBON COMP. ALL OTHER 1/4W ARE CARBON FILM

LED APPEARS TO BE TEXAS TIL-209

COIL IS 12 1/2 TURNS ON 1/4" Ø FORMER .885" LONG TIGHTLY WOUND. WIRE Ø ≈ .045"

D. Frazer
Sept. 7/80